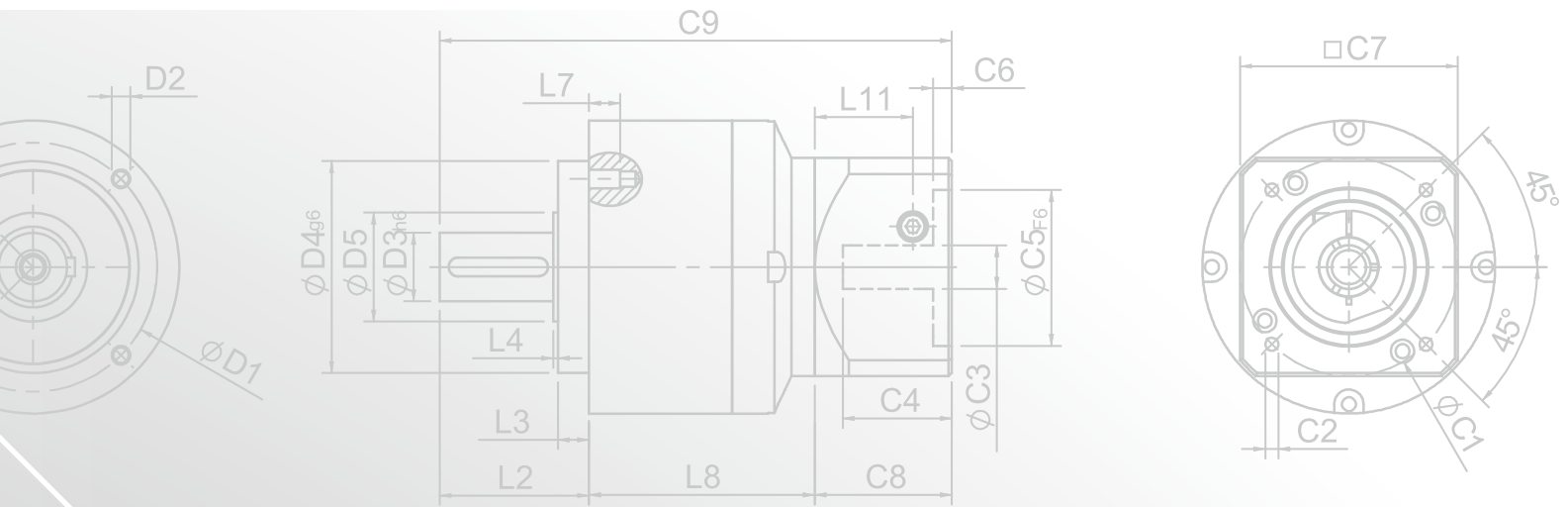
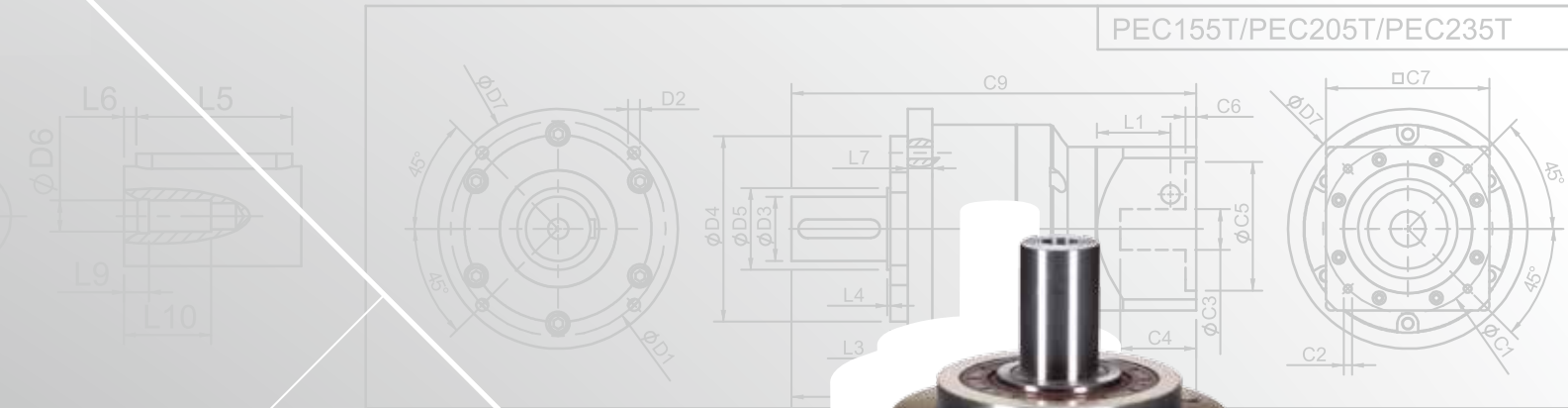


PEC SERIES

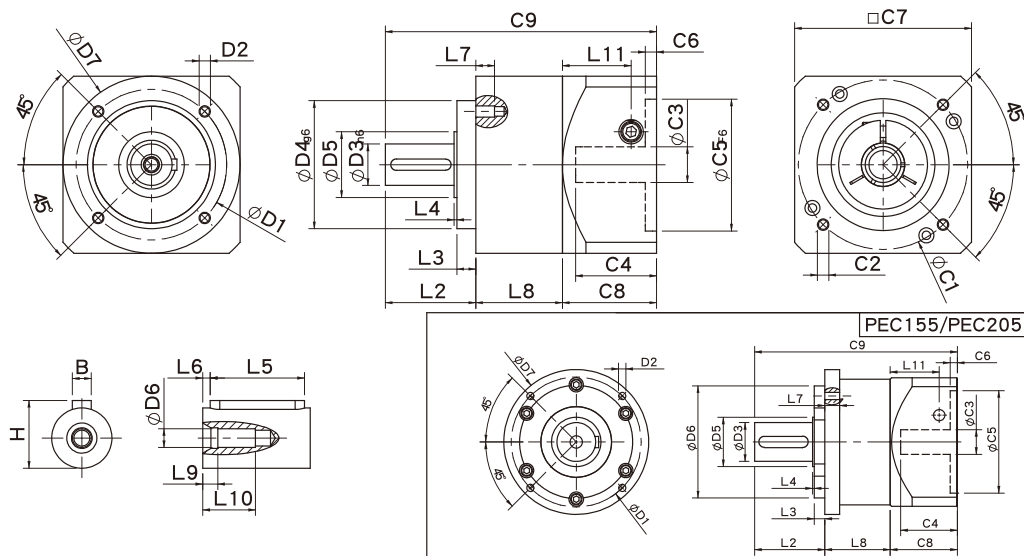




PEC155T/PEC205T/PEC235T



PEC Single Stage Dimensions PEC 單段外型尺寸圖



Specifications 規格

Unit:mm

Dimensions 尺寸	PEC50	PEC70	PEC90	PEC120	PEC155	PEC205
D1	44	62	80	108	140	184
D2	M4x0.7P	M5x0.8P	M6x1.0P	M8x1.25P	M10x1.5P	M12x1.75P
D3 _{h6}	13	16	22	32	40	55
D4 _{g6}	35	52	68	90	120	160
D5	15	25	35	45	50	70
D6	M4x0.7P	M5x0.8P	M8x1.25P	M12x1.75P	M16x2.0P	M20x2.5P
D7	50	70	94	120	155	205
L2	24.5	35	48	60	93	99.5
L3	4	5	10	6	8	15
L4	1.5	1.5	1.5	3	6	2.5
L5	15	25	32	40	60	70
L6	2	2	3	5	5	6
L7	8	10	10	15	18	21
L8	30	38	46	61	79	92.5
L9	4	4	4.5	6	6	8
L10	14	16.5	20.5	30	38	48
L11	24.4	31.5	36.5	42	63	69.5
C1 ²	46	70	90	115	145	200
C2 ²	M4x0.7P	M5x0.8P	M6x1.0P	M8x1.25P	M8x1.25P	M12x1.75P
C3 ²	≤8	≤14	≤19/≤24	≤24/≤28	≤35	≤50
C4 ²	27	35	43	58	66	82
C5 ² _{F6}	30	50	70	95	110	114.3
C6 ²	4	5	5	8	6	13
C7 ²	50	70	94	120	140	182
C8 ²	34	44	50	63	80	95
C9 ²	88.5	117	144	184	252	287
B	5	5	6	10	12	16
H	15	18	24.5	35	43	59

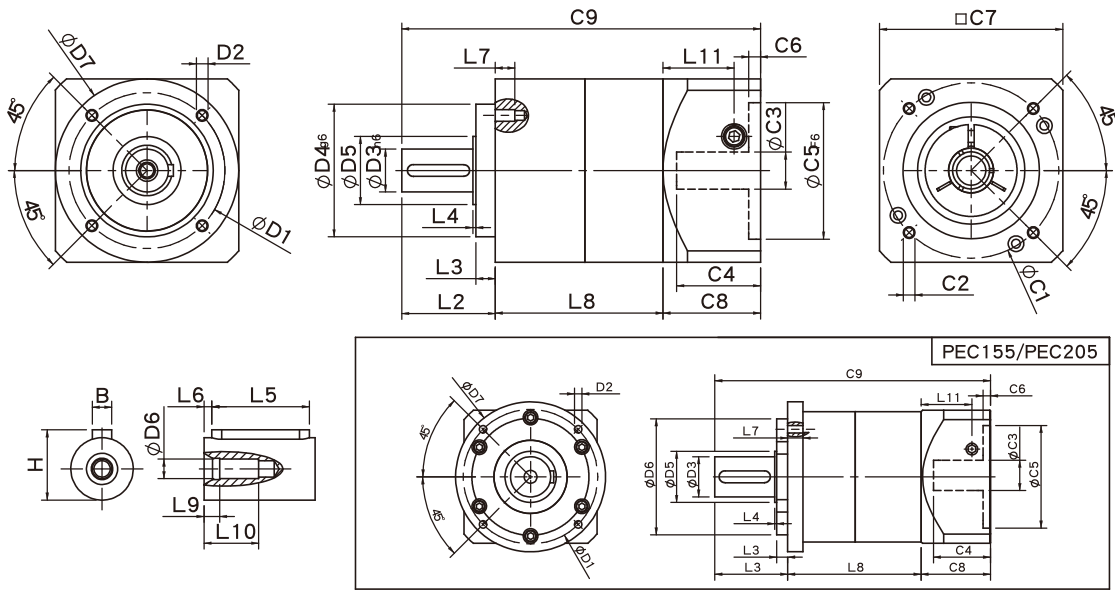
★ C1~C9 are motor specific dimensions(metric std shown).Size may vary according to the motor flange chosen.

★ C1~C9是公製標準馬達連接板尺寸,請依所選用的馬達決定.

★ Specification subject to change without notice.

★ 本公司有權針對以上數據規格逕行設計變更不先行告知.

PEC Double Stage Dimensions-1 PEC 雙段外型尺寸圖-1



Specifications 規格

Unit:mm

Dimensions 尺寸	PEC50	PEC70	PEC90	PEC120	PEC155	PEC205
D1	44	62	80	108	140	184
D2	M4x0.7P	M5x0.8P	M6x1.0P	M8x1.25P	M10x1.5P	M12x1.75P
D3 _{h6}	13	16	22	32	40	55
D4 _{g6}	35	52	68	90	120	160
D5	15	25	35	45	50	70
D6	M4x0.7P	M5x0.8P	M8x1.25P	M12x1.75P	M16x2.0P	M20x2.5P
D7	50	70	94	120	155	205
L2	24.5	35	48	60	93	99.5
L3	4	5	10	6	8	15
L4	1.5	1.5	1.5	3	6	2.5
L5	15	25	32	40	60	70
L6	2	2	3	5	5	6
L7	8	10	10	15	18	21
L8	56	66	86	109	140	182.5
L9	4	4	4.5	6	6	8
L10	14	16.5	20.5	30	38	48
L11	24.4	31.5	36.5	42	63	69.5
C1 ²	46	70	90	115	145	200
C2 ²	M4x0.7P	M5x0.8P	M6x1.0P	M8x1.25P	M8x1.25P	M12x1.75P
C3 ²	≤8	≤14	≤19/≤24	≤24/≤28	≤35	≤50
C4 ²	27	35	43	58	66	82
C5 ² _{F6}	30	50	70	95	110	114.3
C6 ²	4	5	5	8	6	13
C7 ²	50	70	94	120	140	182
C8 ²	34	44	50	63	80	95
C9 ²	114.5	145	184	232	313	377
B	5	5	6	10	12	16
H	15	18	24.5	35	43	59

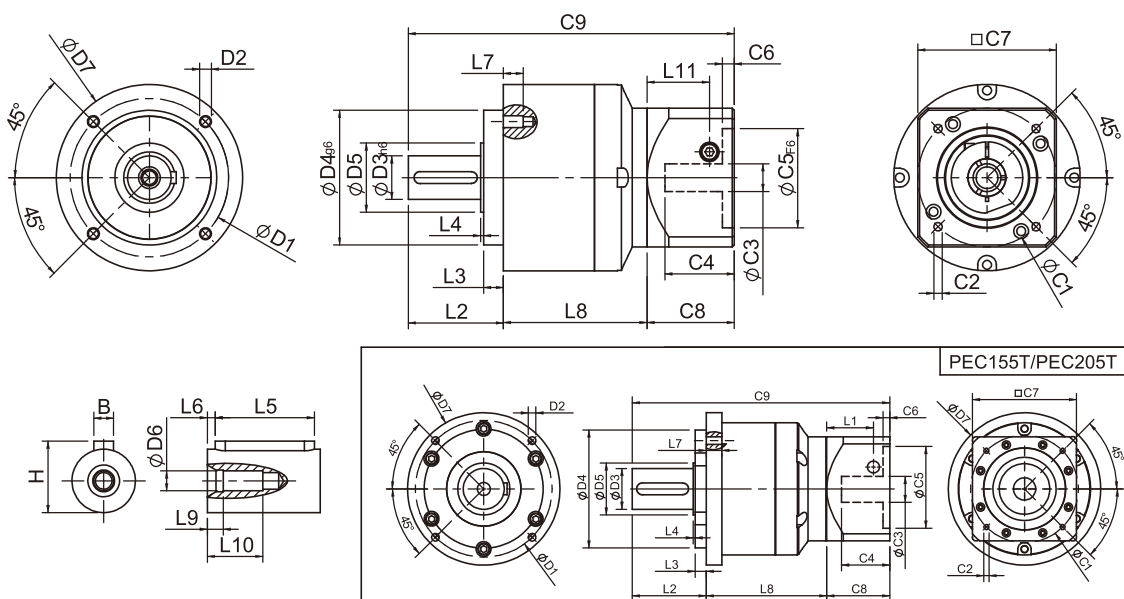
★ C1~C9 are motor specific dimensions(metric std shown),Size may vary according to the motor flange chosen.

★ C1~C9是公製標準馬達連接板尺寸,請依所選用的馬達決定。

★ Specification subject to change without notice.

★ 本公司有權針對以上數據規格逕行設計變更不先行告知。

PEC Double Stage Dimensions-2 PEC 雙段外型尺寸圖-2



Specifications 規格

Unit:mm

Dimensions 尺寸	PEC70T	PEC90T	PEC120T	PEC155T	PEC205T
D1	62	80	108	140	184
D2	M5x0.8P	M6x1.0P	M8x1.25P	M10x1.5P	M12x1.75P
D3 _{h6}	16	22	32	40	55
D4 _{g6}	52	68	90	120	160
D5	25	35	45	50	70
D6	M5x0.8P	M8x1.25P	M12x1.75P	M16x2.0P	M20x2.5P
D7	70	94	120	155	205
L2	35	48	60	93	99.5
L3	5	10	6	8	15
L4	1.5	1.5	3	6	2.5
L5	25	32	40	60	70
L6	2	3	5	5	6
L7	10	10	15	18	21
L8	60.8	70.5	99.4	127	162
L9	4	4.5	6	6	8
L10	16.5	20.5	30	38	48
L11	29	35.5	40.5	42	63
C1 ²	46	70	90	115	145
C2 ²	M4x0.7P	M5x0.8P	M6x1.0P	M8x1.25P	M8x1.25P
C3 ²	≤8	≤14	≤19/≤24	≤24/≤28	≤35
C4 ²	28.5	41	47.75	58	66
C5 ² _{F6}	30	50	70	95	110
C6 ²	5.5	8	6	8	6
C7 ²	50	70	94	120	140
C8 ²	40	50	55	63	80
C9 ²	135.8	170.5	214.4	283	341.5
B	5	6	10	12	16
H	18	24.5	35	43	59

★ C1~C9 are motor specific dimensions(metric std shown).Size may vary according to the motor flange chosen.

★ C1~C9是公製標準馬達連接板尺寸,請依所選用的馬達決定。

★ Specification subject to change without notice.

★ 本公司有權針對以上數據規格運行設計變更不先行告知。

PEC Specifications Table PEC 性能規格共表

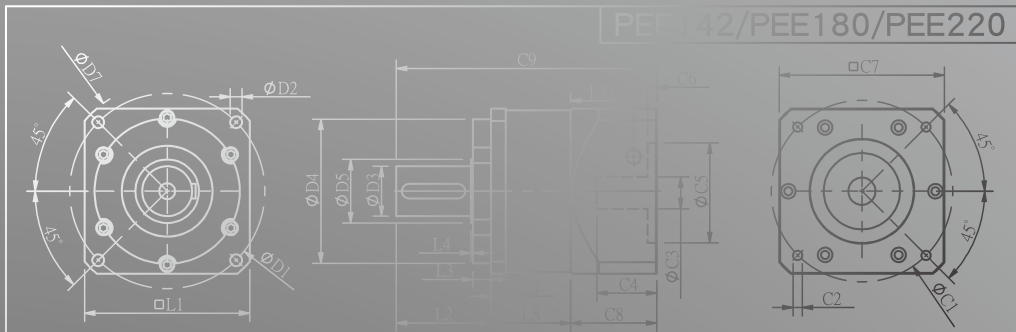
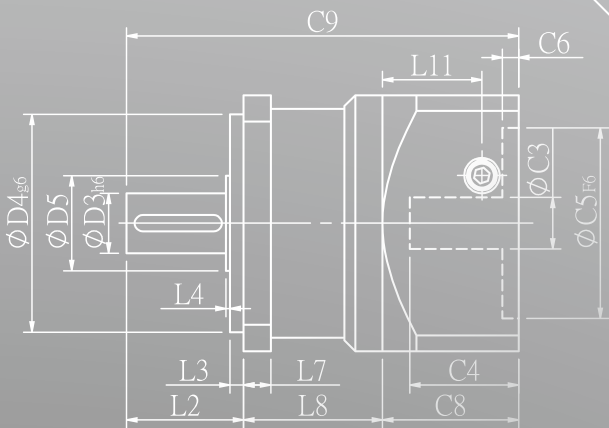
規格 Specifications		節數 Stage	減速比 Ratio	PEC-50	PEC-70	PEC-90	PEC-120	PEC-155	PEC-205		
額定輸出力矩 T_{2N} Nominal Output Torque	N • m	1	3	13.8	44.2	95.2	283	482	1151		
			4	11.9	35.9	74.6	249	490	1055		
			5	13.8	43.0	95.2	283	473	1151		
			7	11.9	36.0	85.6	219	400	1055		
			10	10.1	25.0	75.0	210	320	763		
				節數 Stage	減速比 Ratio	PEC-50	PEC-70(T)	PEC-90(T)	PEC-120(T)	PEC-155(T)	PEC-205(T)
				2	15	13.8	44.2	95.2	283	482	1151
					20	11.9	35.9	74.6	249	490	1055
					25	13.8	43.0	95.2	283	473	1151
					30	13.8	43.0	95.2	283	473	1151
					35	13.8	43.0	95.2	283	473	1151
					40	13.8	43.0	95.2	283	473	1151
					50	13.8	43.0	95.2	283	473	1151
					70	11.9	36.0	85.6	219	400	1055
		100	10.1	25.0	75.0	210	320	763			
急停力矩 T_{2NOT} Emergency Stop Torque	N • m			3.0 倍額定輸出力矩 (3.0 times of Nominal Output Torque) (* 最大輸出力矩 Max. Output Torque T_{2B} = 60% of Emergency Stop Torque)							
額定輸入轉速 n_{1N} Nominal Input Speed	rpm	1,2	3-100	3000	3000	3000	2500	2000	2000		
最大輸入轉速 n_{1max} Max. Input Speed	rpm	1,2	3-100	6000	6000	6000	5000	4000	4000		
背隙 Backlash	arcmin	1	3-10	≤ 12	≤ 9	≤ 9	≤ 7	≤ 7	≤ 7		
		2	12-100	≤ 15	≤ 12	≤ 12	≤ 9	≤ 9	≤ 9		
扭轉剛性 Torsional Rigidity	N • m /arcmin	1,2	3-100	1.0	2.8	7.5	15.5	30	57		
容許徑向力 F_{2rB}^1 Max. Radial Load	N	1,2	3-100	350	960	1630	3380	6150	7260		
容許軸向力 F_{2aB}^1 Max. Axial Load	N	1,2	3-100	320	900	1420	2930	5510	5550		
使用溫度 Operating Temp.	°C		3-100	-10 °C ~ +90 °C							
使用壽命 Service Life	hr		3-100	20 000 (10 000/ 連續運轉 Continuous operation)							
效率 Efficiency	%	1	3-10	≥ 95%							
		2	12-100	≥ 90%							
重量 Weight	kg	1	3-10	0.7	1.4	3.0	7.3	15.6	26		
		2	12-100	0.9	2.2/1.7	5.0/3.4	11.5/8.5	20.7/17.2	36/31		
安裝方向 Mounting Position	-	1,2	3-100	任意方向 Any direction							
噪音值 Noise Level ²	dB(A)/1m	1,2	3-100	≤ 65	≤ 67	≤ 70	≤ 70	≤ 75	≤ 75		
防護等級 Protection Class	-	1,2	3-100	IP65							
潤滑 Lubrication	-	1,2	3-100	全合成潤滑油 Synthetic Lubricant							
減速機轉動慣量 Inertia(J1)											
節數 Stage	減速比 Ratio	單位 unit		PEC-50	PEC-70	PEC-90	PEC-120	PEC-155	PEC-205		
1	3	Kg • cm ²		0.03	0.20	0.81	2.20	7.89	25.2		
	4		0.03	0.16	0.65	1.80	5.83	19.8			
	5		0.03	0.15	0.62	1.61	5.38	18.3			
	7		0.03	0.14	0.60	1.55	5.22	17.8			
	10		0.03	0.14	0.60	1.53	5.20	17.6			
節數 Stage	減速比 Ratio			PEC-50	PEC-70(T)	PEC-90(T)	PEC-120(T)	PEC-155(T)	PEC-205(T)		
2	15/20/25			0.02	0.15(0.02)	0.62(0.15)	1.61(0.62)	5.38(1.61)	18.3(5.38)		
	30/35/40			0.02	0.14(0.02)	0.60(0.14)	1.55(0.60)	5.22(1.55)	17.8(5.22)		
	50/70/100			0.02	0.14(0.02)	0.60(0.14)	1.53(0.60)	5.20(1.53)	17.6(5.20)		

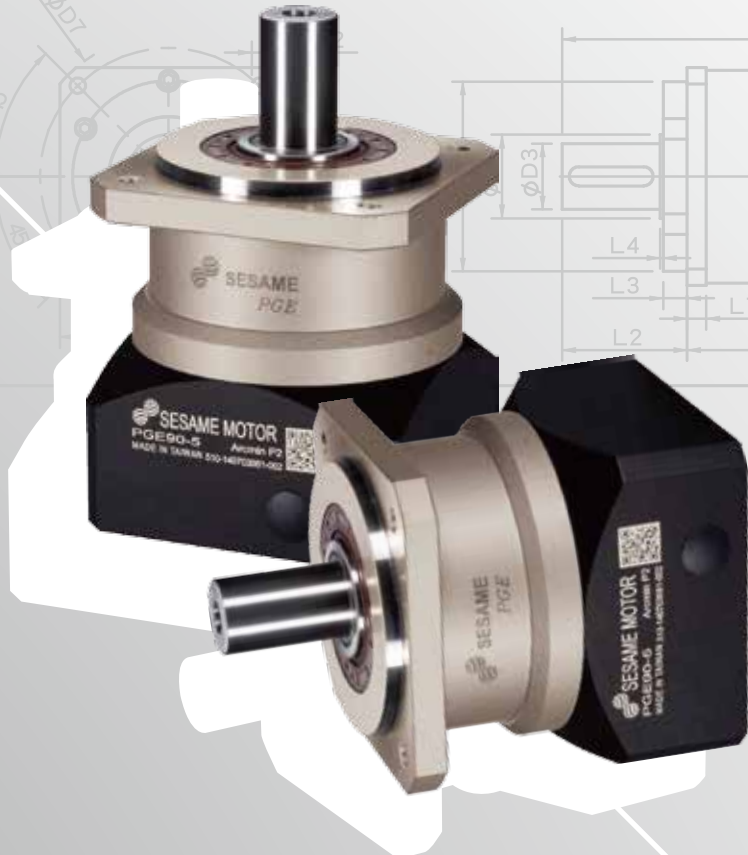
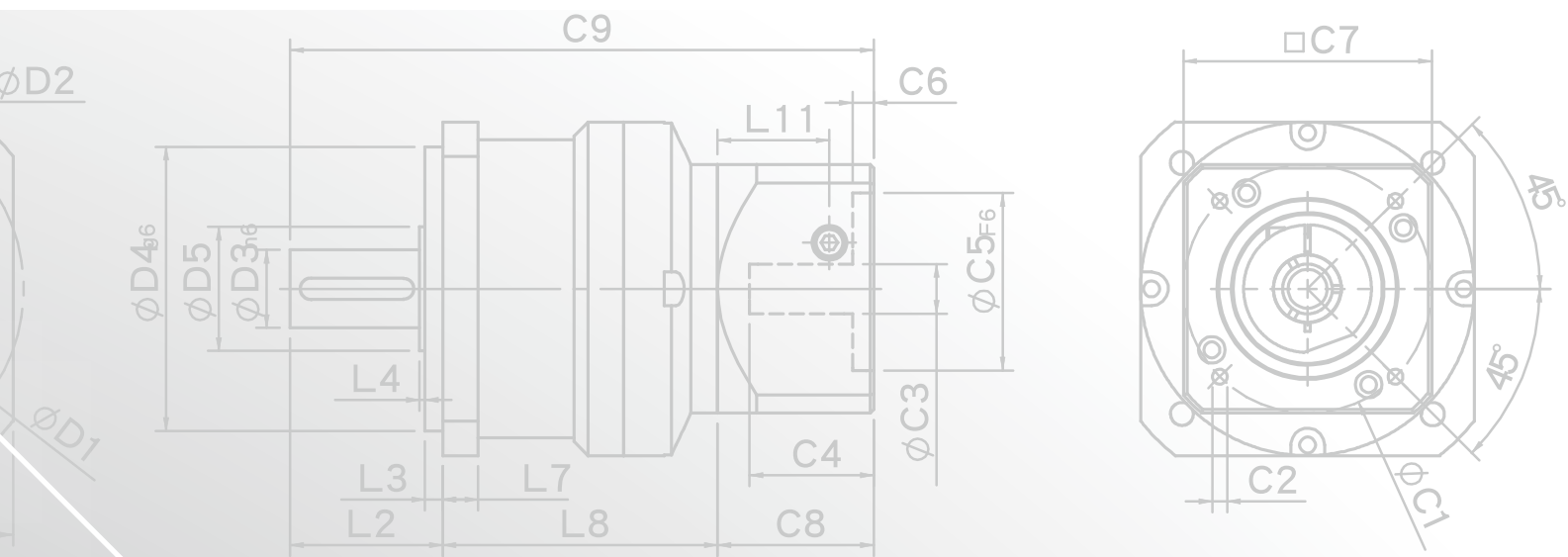
* 1. Applied to the output shaft center @100rpm. 輸出轉速 100rpm 時, 作用於輸出軸中心位置

* 2. Measured at 3000rpm with no load. 3000rpm空載量測

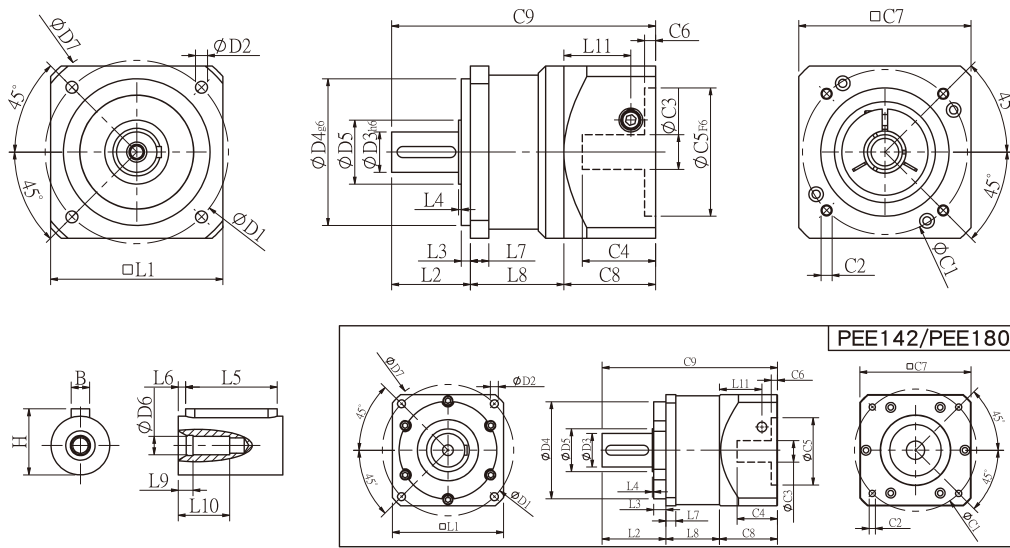
※ The above figures/specifications are subject to change without prior notice. 本公司有權對以上數據規格逕行設計變更不先行告知。

PEE SERIES





PEE Single Stage Dimensions PEE 單段外型尺寸圖



Specifications 規格

Unit:mm

Dimensions 尺寸	PEE50	PEE70	PEE90	PEE120	PEE142	PEE180
D1	50	70	100	130	165	215
D2	3.4	6	6.5	8.5	10.5	13
D3 _{h6}	13	16	22	32	40	55
D4 _{g6}	35	50	80	110	130	160
D5	15	25	35	45	50	70
D6	M4x0.7P	M5x0.8P	M8x1.25P	M12x1.75P	M16x2.0P	M20x2.5P
D7	64	90	120	152	186	239
L1	50	70	94	120	142	182
L2	24.5	37	43	60	93	104.5
L3	4	7	5	6	8	20
L4	1.5	1.5	1.5	3	6	2.5
L5	15	25	32	40	60	70
L6	2	2	3	5	5	6
L7	5	6	10	12	18	16
L8	30	36	51	61	79	87.5
L9	4	4	4.5	6	6	8
L10	14	16.5	20.5	30	38	48
L11	24.4	31.5	36.5	42	63	69.5
C1 ²	46	70	90	115	145	200
C2 ²	M4x0.7P	M5x0.8P	M6x1.0P	M8x1.25P	M8x1.25P	M12x1.75P
C3 ²	≤8	≤14	≤19/≤24	≤24/≤28	≤35	≤50
C4 ²	27	35	43	58	66	82
C5 ² _{F6}	30	50	70	95	110	114.3
C6 ²	4	5	5	8	6	13
C7 ²	50	70	94	120	140	182
C8 ²	34	44	50	63	80	95
C9 ²	88.5	117	144	184	252	287
B	5	5	6	10	12	16
H	15	18	24.5	35	43	59

★ C1~C9 are motor specific dimensions(metric std shown).Size may vary according to the motor flange chosen.

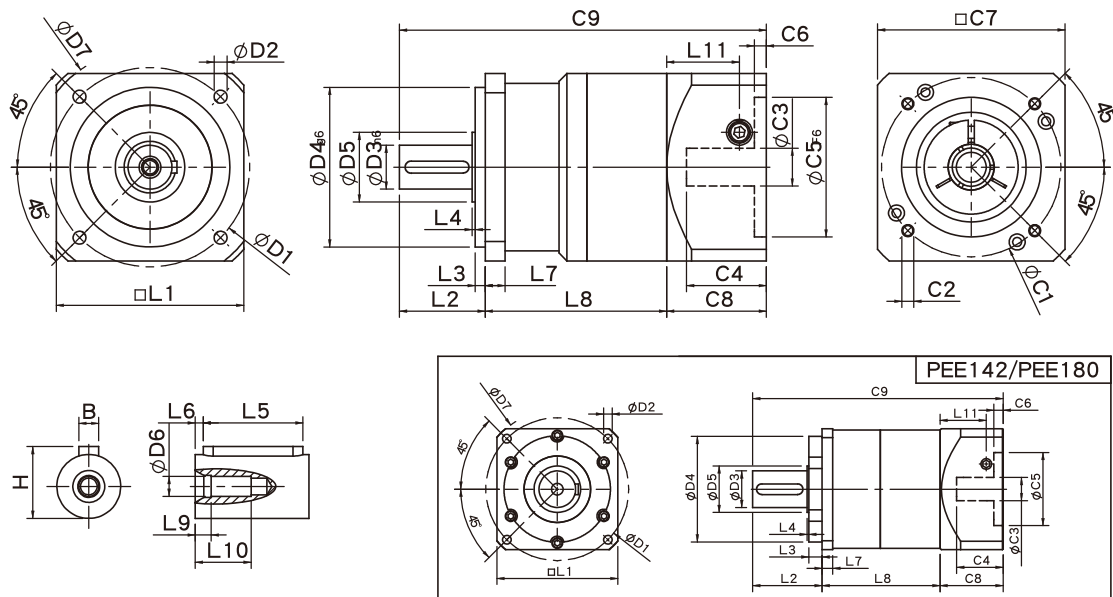
★ C1~C9是公製標準馬達連接板尺寸,請依所選用的馬達決定.

★ Specification subject to change without notice.

★ 本公司有權針對以上數據規格進行設計變更不先行告知.

PHL Series
PHR Series
PHF Series
PGH Series
PUR Series
PUL Series
PGLH Series
PGL Series
PGC Series
PGE Series
PGRH Series
PGR Series
PGRF Series
PGF Series
PEL Series
PEC Series
PEE Series
PBC Series
PBE Series
PAE Series

PEE Double Stage Dimensions-1 PEE 雙段外型尺寸圖-1



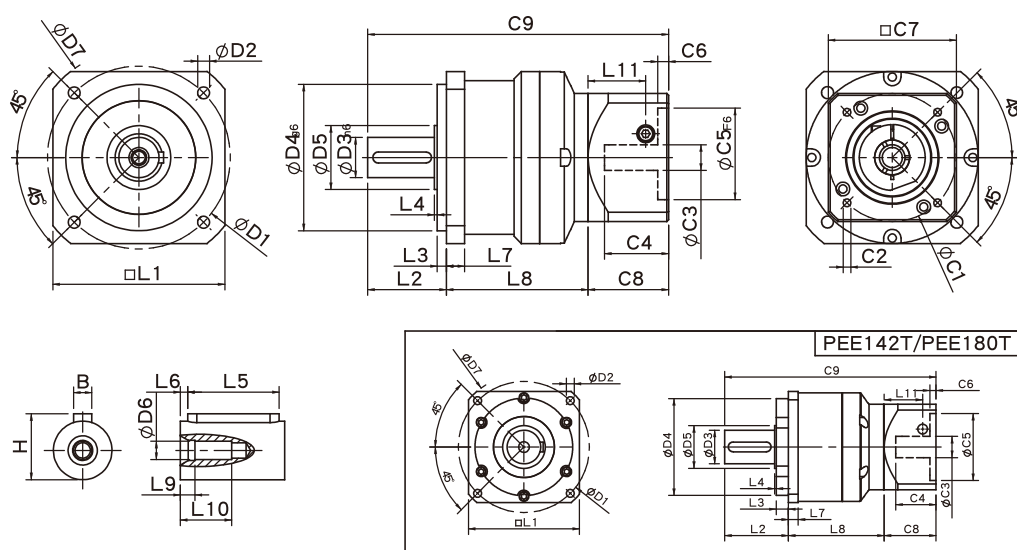
Specifications 規格

Unit:mm

Dimensions 尺寸	PEE50	PEE70	PEE90	PEE120	PEE142	PEE180
D1	50	70	100	130	165	215
D2	3.4	6	6.5	8.5	10.5	13
D3 _{h6}	13	16	22	32	40	55
D4 _{g6}	35	50	80	110	130	160
D5	15	25	35	45	50	70
D6	M4x0.7P	M5x0.8P	M8x1.25P	M12x1.75P	M16x2.0P	M20x2.5P
D7	64	90	120	152	186	239
L1	50	70	94	120	142	182
L2	24.5	37	43	60	93	104.5
L3	4	7	5	6	8	20
L4	1.5	1.5	1.5	3	6	2.5
L5	15	25	32	40	60	70
L6	2	2	3	5	5	6
L7	5	6	10	12	18	16
L8	56	64	91	109	140	177.5
L9	4	4	4.5	6	6	8
L10	14	16.5	20.5	30	38	48
L11	24.4	31.5	36.5	42	63	69.5
C1 ²	46	70	90	115	145	200
C2 ²	M4x0.7P	M5x0.8P	M6x1.0P	M8x1.25P	M8x1.25P	M12x1.75P
C3 ²	≤8	≤14	≤19/≤24	≤24/≤28	≤35	≤50
C4 ²	27	35	43	58	66	82
C5 ² _{F6}	30	50	70	95	110	114.3
C6 ²	4	5	5	8	6	13
C7 ²	50	70	94	120	140	182
C8 ²	34	44	50	63	80	95
C9 ²	114.5	145	184	232	313	377
B	5	5	6	10	12	16
H	15	18	24.5	35	43	59

★ C1~C9 are motor specific dimensions(metric std shown).Size may vary according to the motor flange chosen.
 ★ C1~C9是公製標準馬達連接板尺寸,請依所選用的馬達決定。
 ★ Specification subject to change without notice.
 ★ 本公司有權針對以上數據規格逕行設計變更不先行告知。

PEE Double Stage Dimensions-2 PEE 雙段外型尺寸圖-2



Specifications 規格

Unit:mm

Dimensions 尺寸	PEE70T	PEE90T	PEE120T	PEE142T	PEE180T
D1	70	100	130	165	215
D2	6	6.5	8.5	10.5	13
D3 _{h6}	16	22	32	40	55
D4 _{g6}	50	80	110	130	160
D5	25	35	45	50	70
D6	M5x0.8P	M8x1.25P	M12x1.75P	M16x2.0P	M20x2.5P
D7	90	120	152	186	239
L1	70	94	120	142	182
L2	37	43	60	93	104.5
L3	7	5	6	8	20
L4	1.5	1.5	3	6	2.5
L5	25	32	40	60	70
L6	2	3	5	5	6
L7	6	10	12	18	16
L8	58.8	77.5	99.4	127	157
L9	4	4.5	6	6	8
L10	16.5	20.5	30	38	48
L11	29	35.5	40.5	42	63
C1 ²	46	70	90	115	145
C2 ²	M4x0.7P	M5x0.8P	M6x1.0P	M8x1.25P	M8x1.25P
C3 ²	≤8	≤14	≤19/≤24	≤24/≤28	≤35
C4 ²	28.5	41	47.75	58	66
C5 ² _{F6}	30	50	70	95	110
C6 ²	5.5	8	6	8	6
C7 ²	50	70	94	120	140
C8 ²	40	50	55	63	80
C9 ²	135.8	170.5	214.4	283	341.5
B	5	6	10	12	16
H	18	24.5	35	43	59

★ C1~C9 are motor specific dimensions(metric std shown).Size may vary according to the motor flange chosen.

★ C1~C9是公製標準馬達連接板尺寸,請依所選用的馬達決定.

★ Specification subject to change without notice.

★ 本公司有權針對以上數據規格運行設計變更不先行告知.

PEE Specifications Table PEE 性能規格共表

規格 Specifications		節數 Stage	減速比 Ratio	PEE-50	PEE-70	PEE-90	PEE-120	PEE-142	PEE-180		
額定輸出力矩 T_{2N} Nominal Output Torque	N • m	1	3	13.8	44.2	95.2	283	482	1151		
			4	11.9	35.9	74.6	249	490	1055		
			5	13.8	43.0	95.2	283	473	1151		
			7	11.9	36.0	85.6	219	400	1055		
			10	10.1	25.0	75.0	210	320	763		
				節數 Stage	減速比 Ratio	PEE-50	PEE-70(T)	PEE-90(T)	PEE-120(T)	PEE-142(T)	PEE-180(T)
				2	15	13.8	44.2	95.2	283	482	1151
					20	11.9	35.9	74.6	249	490	1055
					25	13.8	43.0	95.2	283	473	1151
					30	13.8	43.0	95.2	283	473	1151
					35	13.8	43.0	95.2	283	473	1151
					40	13.8	43.0	95.2	283	473	1151
					50	13.8	43.0	95.2	283	473	1151
					70	11.9	36.0	85.6	219	400	1055
		100	10.1	25.0	75.0	210	320	763			
急停力矩 T_{2NOT}				3.0 倍額定輸出力矩 (3.0 times of Nominal Output Torque) (* 最大輸出力矩 Max. Output Torque T_{2B} = 60% of Emergency Stop Torque)							
額定輸入轉速 n_{1N} Nominal Input Speed	rpm	1,2	3-100	3000	3000	3000	2500	2000	2000		
最大輸入轉速 n_{1max} Max. Input Speed	rpm	1,2	3-100	6000	6000	6000	5000	4000	4000		
背隙 Backlash	arcmin	1	3-10	≤ 12	≤ 9	≤ 9	≤ 7	≤ 7	≤ 7		
		2	12-100	≤ 15	≤ 12	≤ 12	≤ 9	≤ 9	≤ 9		
扭轉剛性 Torsional Rigidity	N • m / arcmin	1,2	3-100	1.0	2.8	7.5	15.5	30	57		
容許徑向力 F_{2rB}^1 Max. Radial Load	N	1,2	3-100	350	960	1630	3380	6150	7260		
容許軸向力 F_{2aB}^1 Max. Axial Load	N	1,2	3-100	320	900	1420	2930	5510	5550		
使用溫度 Operating Temp.	°C		3-100	-10 °C ~ +90 °C							
使用壽命 Service Life	hr		3-100	20 000 (10 000/ 連續運轉 Continuous operation)							
效率 Efficiency	%	1	3-10	≥ 95%							
		2	12-100	≥ 90%							
重量 Weight	kg	1	3-10	0.7	1.4	3.0	7.3	15.6	26		
		2	12-100	0.9	2.2/1.7	5.0/3.4	11.5/8.5	20.7/17.2	36/31		
安裝方向 Mounting Position	-	1,2	3-100	任意方向 Any direction							
噪音值 Noise Level ²	dBA/1m	1,2	3-100	≤ 65	≤ 67	≤ 70	≤ 70	≤ 75	≤ 75		
防護等級 Protection Class	-	1,2	3-100	IP65							
潤滑 Lubrication	-	1,2	3-100	全合成潤滑油 Synthetic Lubricant							
減速機轉動慣量 Inertia(J1)											
節數 Stage	減速比 Ratio	單位 unit		PEE-50	PEE-70	PEE-90	PEE-120	PEE-142	PEE-180		
1	3	Kg • cm ²		0.03	0.20	0.81	2.20	7.89	25.2		
	4		0.03	0.16	0.65	1.80	5.83	19.8			
	5		0.03	0.15	0.62	1.61	5.38	18.3			
	7		0.03	0.14	0.60	1.55	5.22	17.8			
	10		0.03	0.14	0.60	1.53	5.20	17.6			
節數 Stage	減速比 Ratio			PEE-50	PEE-70(T)	PEE-90(T)	PEE-120(T)	PEE-142(T)	PEE-180(T)		
2	15/20/25			0.02	0.15(0.02)	0.62(0.15)	1.61(0.62)	5.38(1.61)	18.3(5.38)		
	30/35/40			0.02	0.14(0.02)	0.60(0.14)	1.55(0.60)	5.22(1.55)	17.8(5.22)		
	50/70/100			0.02	0.14(0.02)	0.60(0.14)	1.53(0.60)	5.20(1.53)	17.6(5.20)		

* 1. Applied to the output shaft center @100rpm. 輸出轉速100rpm時·作用於輸出軸中心位置。

* 2. Measured at 3000rpm with no load 3000rpm空載量測。

※ The above figures/specifications are subject to change without prior notice. 本公司有權對以上數據規格進行設計變更不先行告知。

Products due to human error, natural disasters or other factors lead to poor or damaged, will not be covered under warranty.

產品因人為原因或天災等因素導致不良或損壞·不在保固範圍內。