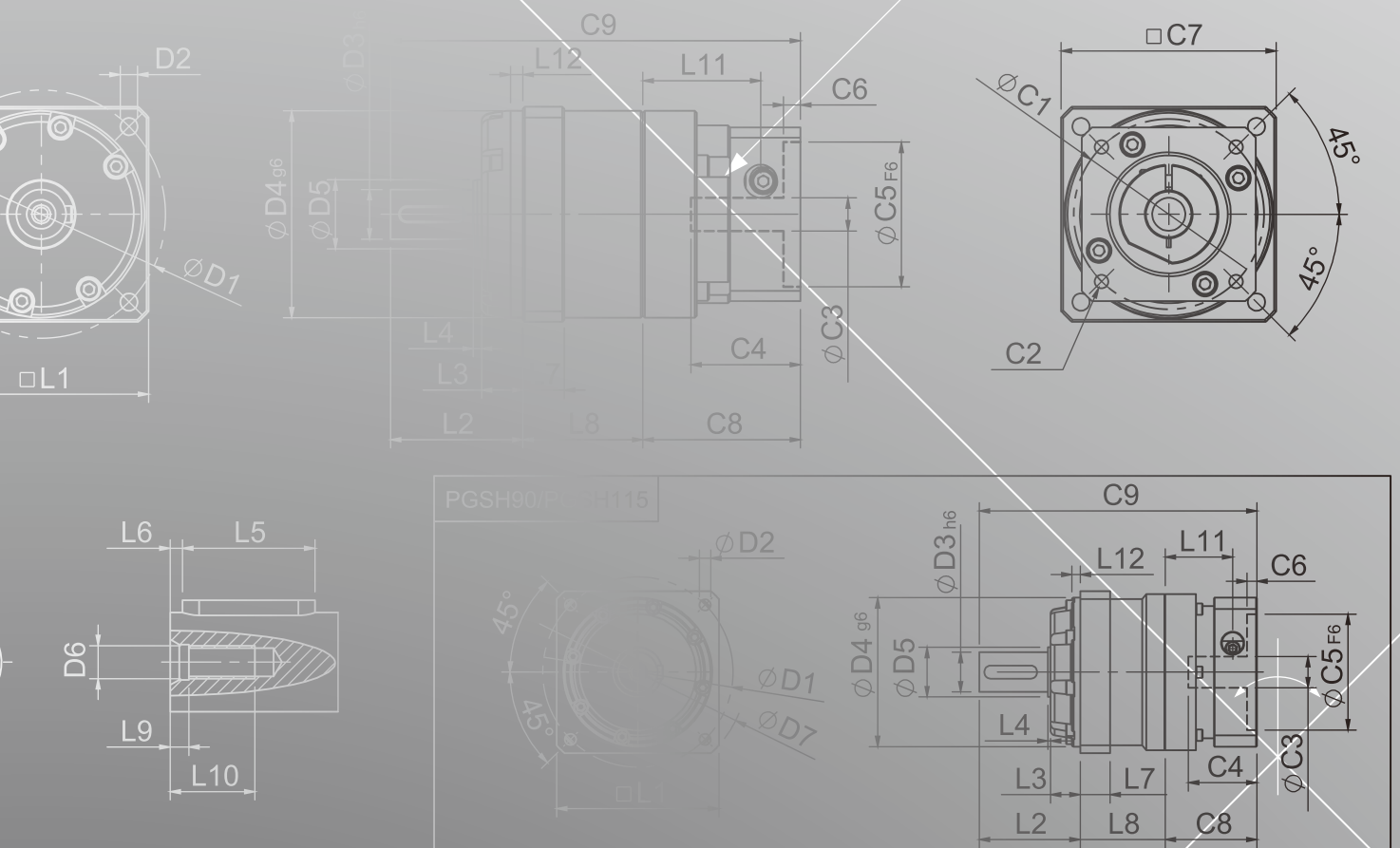
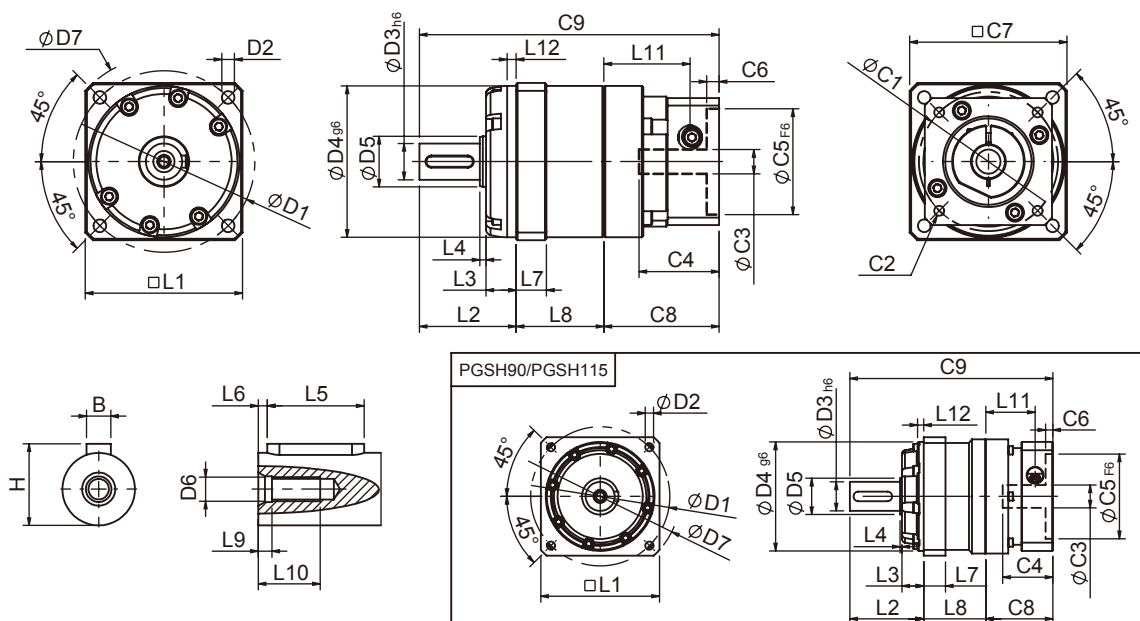


PGSH SERIES



PGSH Single Stage Dimensions PGSH單段外型尺寸圖



Specifications 規格

Unit:mm

尺寸 Dimensions	PGSH42	PGSH60	PGSH90	PGSH115
D1	60	90	115	135
D2	M5x0.8P	M6x1.0P	M8x1.25P	M10x1.5P
D3 _{h6}	12	19	24	32
D4 _{g6}	50	70	90	110
D5	16.7	20	30	45
D6	M4x0.7P	M6x1.0P	M8x1.25P	M12x1.75P
D7	70	104	132	164
L1	52	78	98	120
L2	32	50	61	75
L3	10	17	18	14.5
L4	2	3	1.5	5.5
L5	16	25	32	40
L6	2	3	3	5
L7	10	12	18	18.5
L8	29	37.8	51.4	63.8
L9	4	4	4.5	6
L10	12	16.5	20.5	30
L11	28.5	35.5	40.7	53.8
L12	3	4	5	5
C1 ²	46	70	90	115
C2 ²	M4x0.7P	M5x0.8P	M6x1.0P	M8x1.25P
C3 ²	≤8/≤11	≤14/≤19	≤19/≤24	≤24/≤32/≤38
C4 ²	26.5	37.6	41.4	51.3
C5 ² _{F6}	30	50	70	95
C6 ²	4.1	4.5	6	6
C7 ²	42	60	90	115
C8 ²	38.1	46.5	55.4	70
C9 ²	99.1	134.3	167.8	208.8
B	4	6	8	10
H	13.5	21.5	27	35

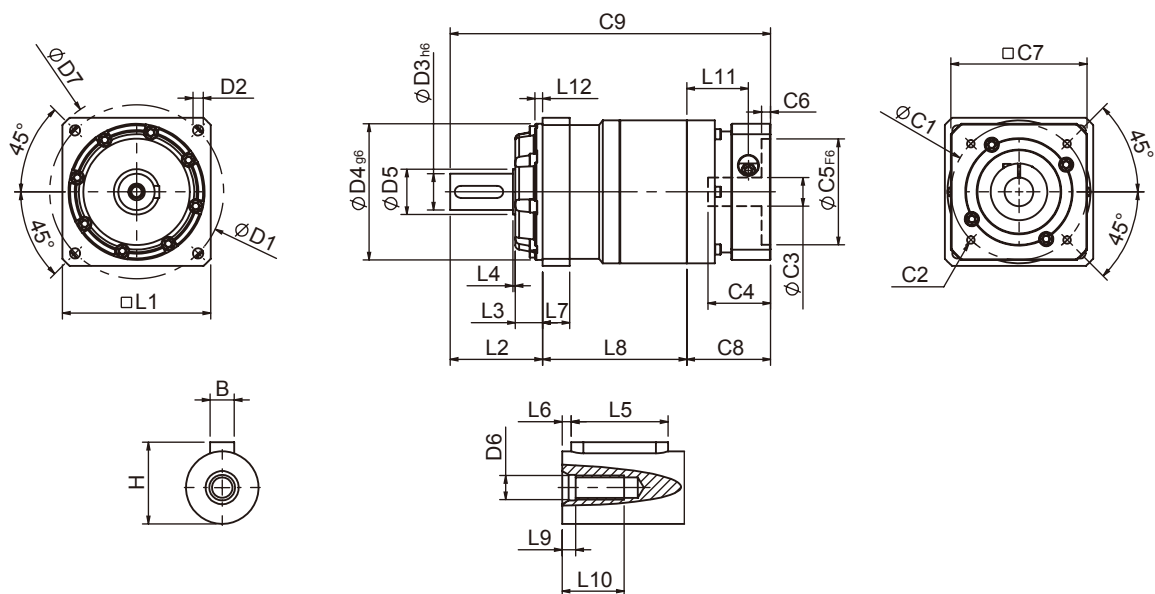
★ C1~C9是公製標準馬達連接板尺寸,請依所選用的馬達決定。

★ 本公司有權針對以上數據規格逕行設計變更不先行告知。

★ C1~C9 are motor specific dimensions(metric std shown), Size may vary according to motor flange.

★ Specification subject to change without notice.

PGSH Double Stage Dimensions-1 PGSH雙段外型尺寸圖-1



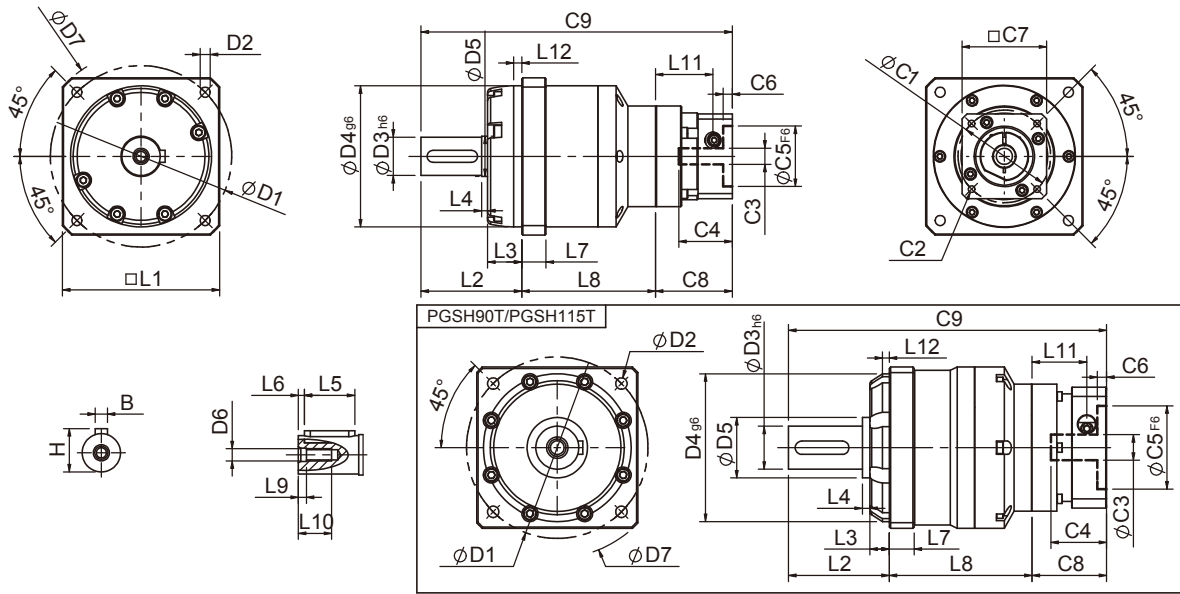
Specifications 規格 Unit:mm

尺寸 Dimensions	PGSH42	PGSH60	PGSH90
D1	60	90	115
D2	M5x0.8P	M6x1.0P	M8x1.25P
D3 _{h6}	12	19	24
D4 _{g6}	50	70	90
D5	16.7	20	30
D6	M4x0.7P	M6x1.0P	M8x1.25P
D7	70	104	132
L1	52	78	98
L2	32	50	61
L3	10	17	18
L4	2	3	1.5
L5	16	25	32
L6	2	3	3
L7	10	12	18
L8	56	70.8	95.4
L9	4	4	4.5
L10	12	16.5	20.5
L11	28.5	35.5	40.7
L12	3	4	5
C1 ²	46	70	90
C2 ²	M4x0.7P	M5x0.8P	M6x1.0P
C3 ²	≤8/≤11	≤14/≤19	≤19/≤24
C4 ²	26.5	37.6	41.4
C5 ² _{F6}	30	50	70
C6 ²	4.1	4.5	6
C7 ²	42	60	90
C8 ²	38.1	46.5	55.4
C9 ²	126.1	167.3	211.8
B	4	6	8
H	13.5	21.5	27

★ C1~C9是公製標準馬達連接板尺寸,請依所選用的馬達決定。
 ★ 本公司有權針對以上數據規格運行設計變更不先行告知。

★ C1~C9 are motor specific dimensions(metric std shown),
 Size may vary according to motor flange.
 ★ Specification subject to change without notice.

PGSH Double Stage Dimensions-2 PGSH雙段外型尺寸圖-2



Specifications 規格

Unit:mm

尺寸 Dimensions	PGSH60T	PGSH90T	PGSH115T
D1	90	115	135
D2	M6x1.0P	M8x1.25P	M10x1.5P
D3 _{h6}	19	24	32
D4 _{g6}	70	90	110
D5	20	30	45
D6	M6x1.0P	M8x1.25P	M12x1.75P
D7	104	132	164
L1	78	98	120
L2	50	61	75
L3	17	18	14.5
L4	3	1.5	5.5
L5	25	32	40
L6	3	3	5
L7	12	18	18.6
L8	66.3	83.9	106.5
L9	4	4.5	6
L10	16.5	20.5	30
L11	28.5	35.5	40.7
L12	4	5	5
C1 ²	46	70	90
C2 ²	M4x0.7P	M5x0.8P	M6x1.0P
C3 ²	≤8/≤11	≤14/≤19	≤19/≤24
C4 ²	26.5	37.6	41.4
C5 ² _{F6}	30	50	70
C6 ²	4.1	4.5	6
C7 ²	42	60	90
C8 ²	38.1	46.5	55.4
C9 ²	154.4	191.4	236.7
B	6	8	10
H	21.5	27	35

★ C1~C9是公製標準馬達連接板尺寸,請依所選用的馬達決定.

★ C1~C9 are motor specific dimensions(metric std shown), Size may vary according to the motor flange chosen.

★ 本公司有權針對以上數據規格運行設計變更不先行告知.

★ Specification subject to change without notice.

PGSH Specifications Table PGSH性能規格共表

規格 Specifications	節數 Stage	減速比 Ratio	PGSH-42A	PGSH-42	PGSH-60	PGSH-90	PGSH-115	PGSH-142	
額定輸出力矩 T_{2N} Nominal Output Torque	1	3	8	15	53	145	290	520	
		4	10	17	55	150	300	550	
		5	10	16	54	140	290	600	
		6	10	15	46	135	280	560	
		7	10	14	44	125	270	530	
		8	9	12	41	110	240	480	
		9	9	11	37	95	220	430	
		10	9	11	37	95	220	430	
		2	15	8	15	53	145	290	520
			20	10	17	55	150	300	550
	25		10	16	54	140	290	600	
	30		10	16	54	140	290	600	
	35		10	16	54	140	290	600	
	40		10	16	54	140	290	600	
	45		10	16	54	140	290	600	
	50		10	16	54	140	290	600	
	60		10	15	46	135	280	560	
	70		10	14	44	125	270	530	
	80	9	12	41	110	240	480		
90	9	11	37	95	220	430			
100	9	11	37	95	220	430			
急停力矩 T_{2NOT} Emergency Stop Torque	N · m	3.0倍額定輸出力矩 (3.0 times of Nominal Output Torque) (* 最大輸出力矩 Max. Output Torque T_{2B} = 60% of Emergency Stop Torque)							
額定輸入轉速 n_{1N} Nominal Input Speed	rpm	1,2	3-100	4000	4000	4000	3000	3000	2500
最大輸入轉速 n_{1max} Max. Input Speed	rpm	1,2	3-100	8000	8000	8000	6000	6000	5000
精密背隙 Precision Backlash P1	arcmin	1	3-10	≤ 6	≤ 6	≤ 6	≤ 6	≤ 5	≤ 5
		2	12-100	≤ 8	≤ 8	≤ 8	≤ 8	≤ 7	≤ 7
標準背隙 Standard Backlash P2	arcmin	1	3-10	≤ 8	≤ 8	≤ 8	≤ 8	≤ 7	≤ 7
		2	12-100	≤ 10	≤ 10	≤ 10	≤ 10	≤ 9	≤ 9
扭轉剛性 Torsional Rigidity	N · m / arcmin	1,2	3-100	2.5	2.5	6	12	23	50
容許徑向力 F_{2RB}^1 Max. Radial Load	N	1,2	3-100	1120	1120	1720	2800	4600	8300
容許軸向力 F_{2aB}^1 Max. Axial Load	N	1,2	3-100	520	520	830	1730	2950	4670
使用溫度 Operating Temp.	°C		3-100	-10°C ~ +90°C					
使用壽命 Service Life	hr		3-100	20,000 (10,000/連續運轉 Continuous operation)					
效率 Efficiency	%	1	3-10	≥ 97%					
		2	12-100	≥ 94%					
重量 Weight	kg	1	3-10	0.6	0.6	1.3	3.5	7.8	16.1
		2	12-100	0.9	0.9	2.0/1.6	5.6/3.9	9.5	19
安裝方向 Mounting Position	-	1,2	3-100	任意方向 Any Direction					
噪音值 Noise Level ²	dB(A)/1m	1,2	3-100	58	58	60	63	65	67
防護等級 Protection Class	-	1,2	3-100	IP65					
潤滑 Lubrication	-	1,2	3-100	全合成潤滑油脂 Synthetic Lubricant					
減速機轉動慣量 Inertia(J1)									
節數 Stage	減速比 Ratio	單位 unit	PGSH-42A	PGSH-42	PGSH-60	PGSH-90	PGSH-115	PGSH-142	
1	3	Kg · cm ²	0.03	0.03	0.23	0.97	2.35	10.00	
	4		0.02	0.02	0.18	0.67	1.66	7.17	
	5		0.02	0.02	0.17	0.65	1.50	6.52	
	6/7/8		0.02	0.02	0.14	0.60	1.45	6.17	
	9/10		0.02	0.02	0.14	0.58	1.41	6.10	
節數 Stage	減速比 Ratio		PGSH-42A	PGSH-42	PGSH-60(T)	PGSH-90(T)	PGSH-115T	PGSH-142T	
2	15/20/25		0.02	0.02	0.17(0.02)	0.65(0.17)	0.65	1.50	
	30/35/40		0.02	0.02	0.14(0.02)	0.60(0.14)	0.60	1.45	
	45/50/60/70/80/90/100		0.02	0.02	0.14(0.02)	0.58(0.14)	0.58	1.41	

* 1. 輸出轉速 100rpm 時 · 作用於輸出軸中心位置 · Applied to the output shaft center @100rpm.
 * 2. 3000rpm 空載量測 · Measured at 3000 rpm with no load. These values are measured by gearbox with ratio = 10 (1-stage) or ratio = 100 (2-stage) at nominal input speed or 3000 rpm (if nominal input speed is higher than 3000 rpm) with no load.
 ※ 本公司有權對以上數據規格逕行設計變更不先行告知 · The above figures/specifications are subject to change without prior notice.

Products due to human error, natural disasters or other factors lead to poor or damaged, will not be covered under warranty.
 產品因人為原因或天災等因素導致不良或損壞 · 不在保固範圍內 ·